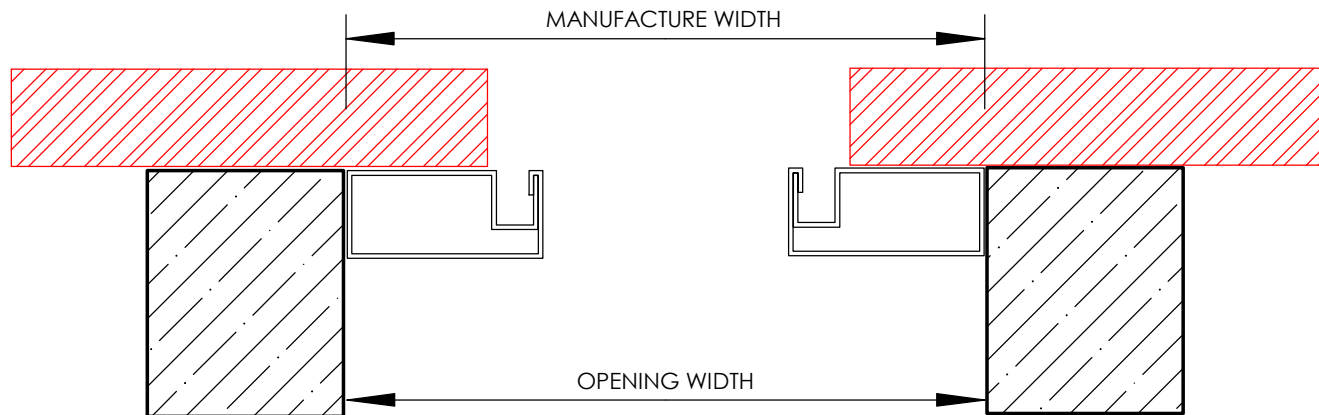
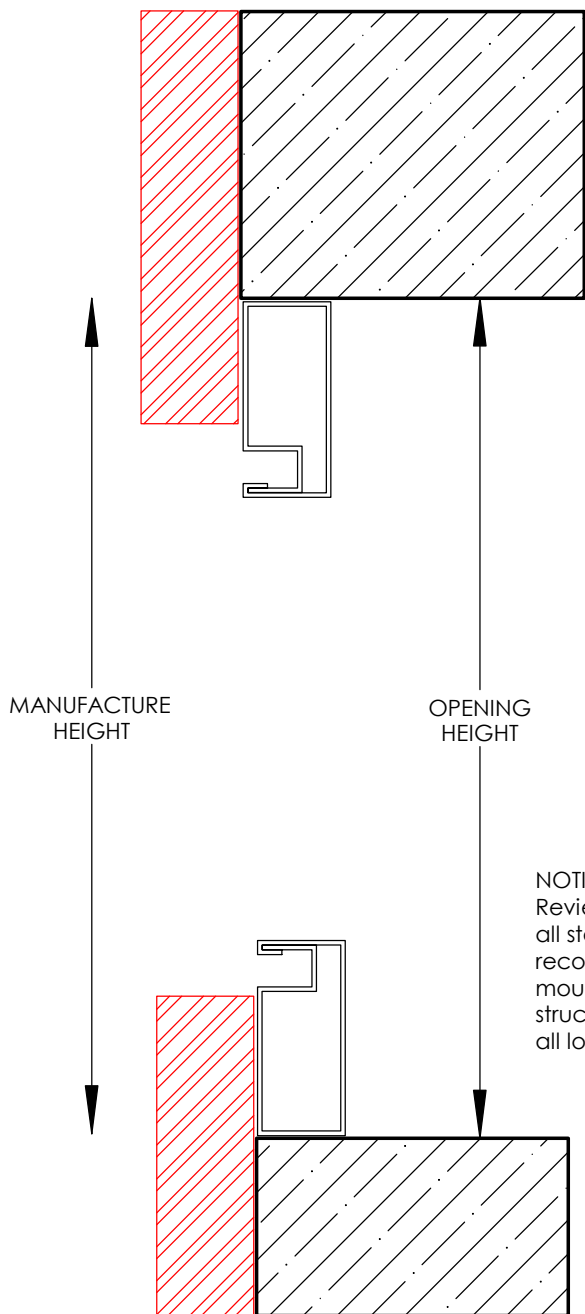


# INSIDE POST WITH LARGE STOPS RECOMMENDED FOR 7/16" x 1" FRAME MATERIALS



With this installation, exterior fascia (aka "Large Stops") are installed in a fashion that will act as the exterior fascia and as the screen panel exterior stop. We recommend that the stop be at least 1" thick and 1" wide -or- sized to allow at least 3/4" penetration of the mounting screw and full coverage of screen frame from the exterior. This mount can be modified in a number of ways to fit your needs - some possible modifications are detailed within.

Manufacture sizes submitted for production should be the smallest width and smallest height obtained from the measurement taken at the mounting location for each screen panel (inside of each opening). We do recommend that your measurements be slightly reduced to allow for play when installing. Typically, a reduction of 1/8" in the height and in the width is more than adequate provided your openings are true and square. Your reduction may have to more or less - dependant upon your opening(s). In all cases, your submitted sizes must be your true manufacture size (TTT) - we will not adjust your measurements.

**NOTICE:**  
Review all additional pages for this mounting suggestion as well as all standard guidelines for important information, restrictions, limitations, and recommendations concerning this mounting suggestion. This particular mounting suggestion may need to be modified for your application or your structure may need to be modified. In all cases, be sure to consult and follow all local building codes.



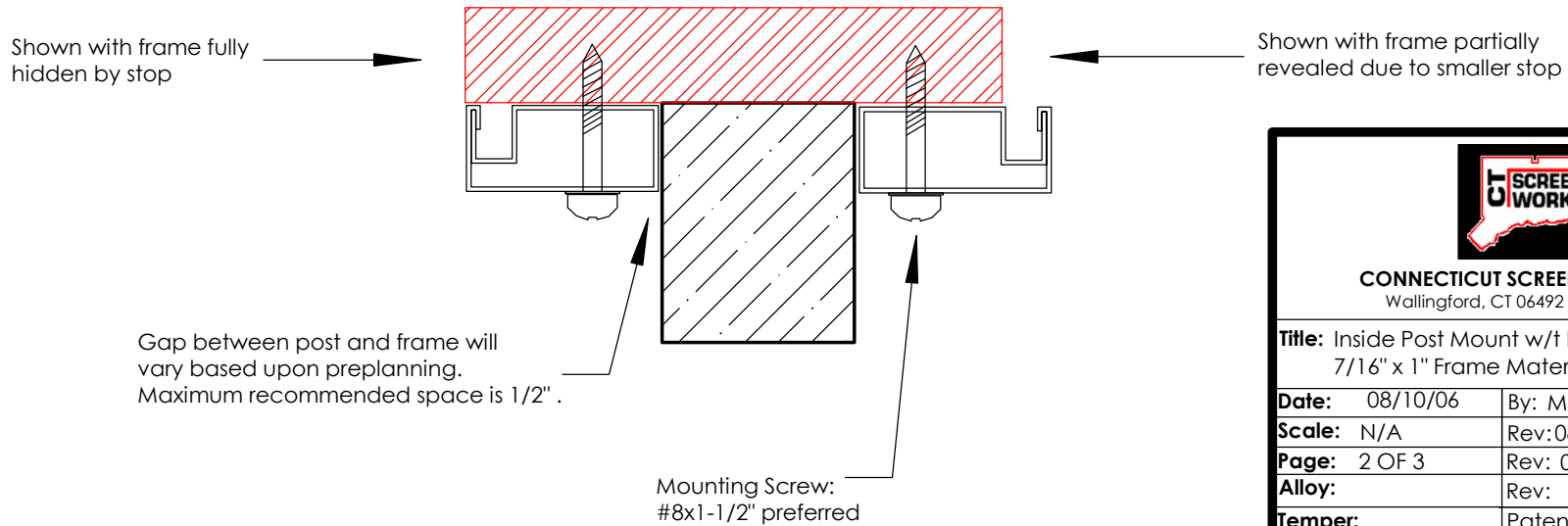
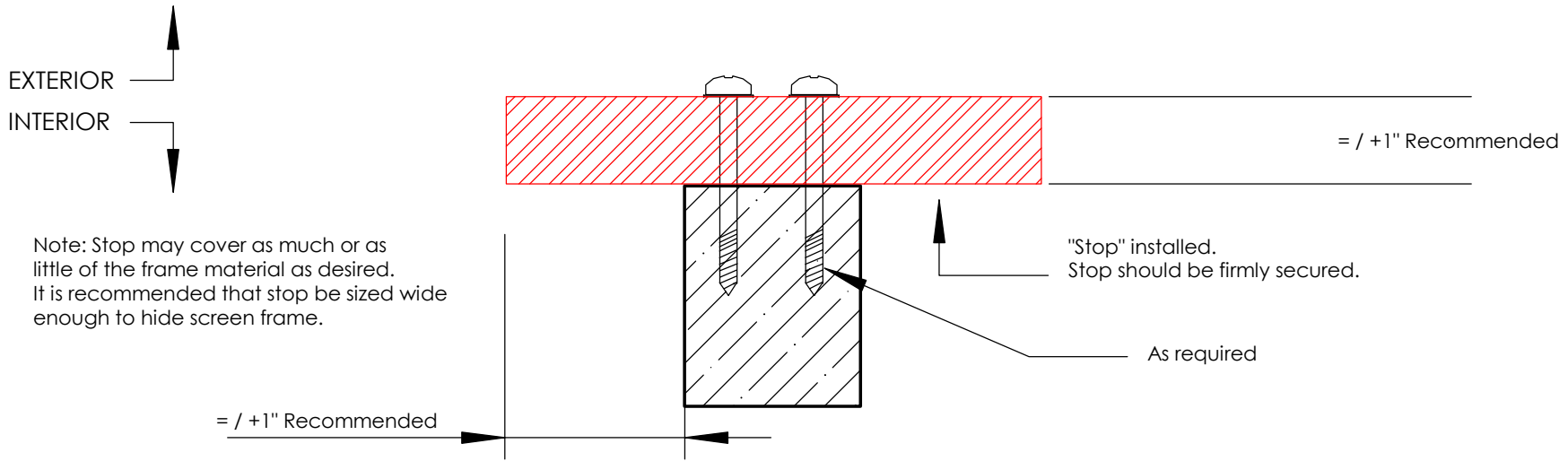
**CONNECTICUT SCREEN WORKS, INC**  
Wallingford, CT 06492 (203) 741-0859


**Title:** Inside Post Mount w/t Large Stops  
7/16" x 1" Frame Material

<b>Date:</b> 08/10/06	By: MC
<b>Scale:</b> N/A	Rev: 08/10/06 by MC
<b>Page:</b> 1 OF 3	Rev: 09/15/06 by MC
<b>Alloy:</b>	Rev:
<b>Temper:</b>	Patent:
<b>Length:</b>	N/A
<b>Die:</b>	

# INSIDE POST WITH LARGE STOPS RECOMMENDED FOR 7/16" x 1" FRAME MATERIALS

## TOP DOWN VIEW OF TWO ADJOINING FRAME PANELS





**CONNECTICUT SCREEN WORKS, INC**  
Wallingford, CT 06492 (203) 741-0859

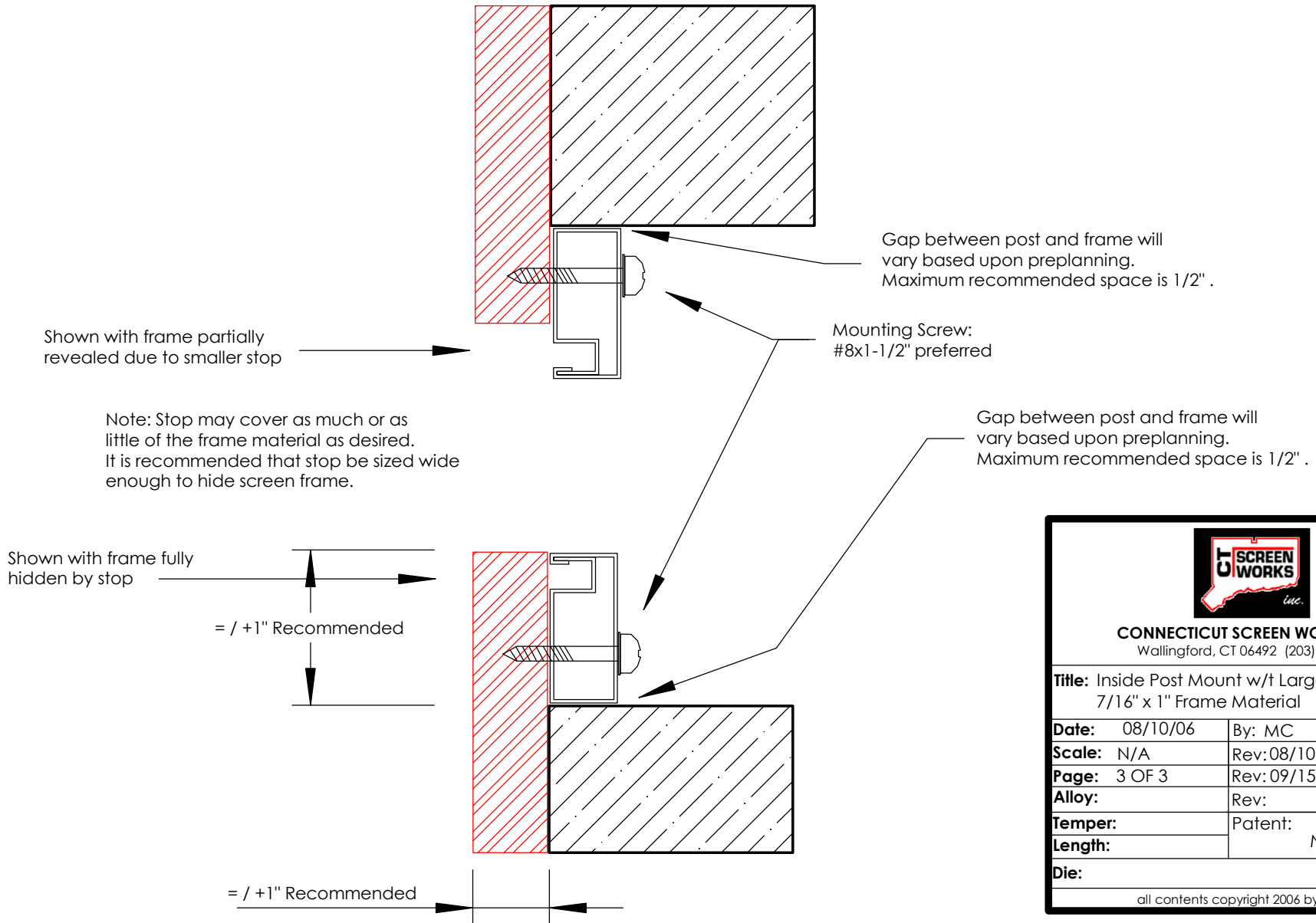
<b>Title:</b> Inside Post Mount w/t Large Stops 7/16" x 1" Frame Material	
<b>Date:</b> 08/10/06	<b>By:</b> MC
<b>Scale:</b> N/A	<b>Rev:</b> 08/10/06 by MC
<b>Page:</b> 2 OF 3	<b>Rev:</b> 09/15/06 by MC
<b>Alloy:</b>	<b>Rev:</b>
<b>Temper:</b>	<b>Patent:</b>
<b>Length:</b>	N/A
<b>Die:</b>	


all contents copyright 2006 by CSW, Inc.

# INSIDE POST WITH LARGE STOPS RECOMMENDED FOR 7/16" x 1" FRAME MATERIALS



## SIDE VIEW OF TOP AND BASE FRAME INSTALLATION





**CONNECTICUT SCREEN WORKS, INC**  
Wallingford, CT 06492 (203) 741-0859

<b>Title:</b> Inside Post Mount w/t Large Stops 7/16" x 1" Frame Material	
<b>Date:</b> 08/10/06	By: MC
<b>Scale:</b> N/A	Rev: 08/10/06 by MC
<b>Page:</b> 3 OF 3	Rev: 09/15/06 by MC
<b>Alloy:</b>	Rev:
<b>Temper:</b>	Patent:
<b>Length:</b>	N/A
<b>Die:</b>	
all contents copyright 2006 by CSW, Inc.	