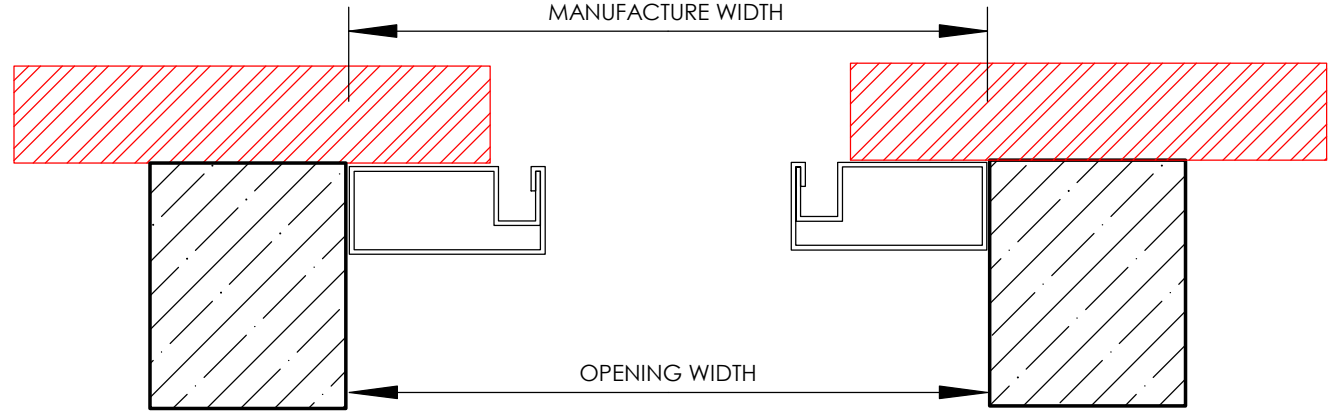
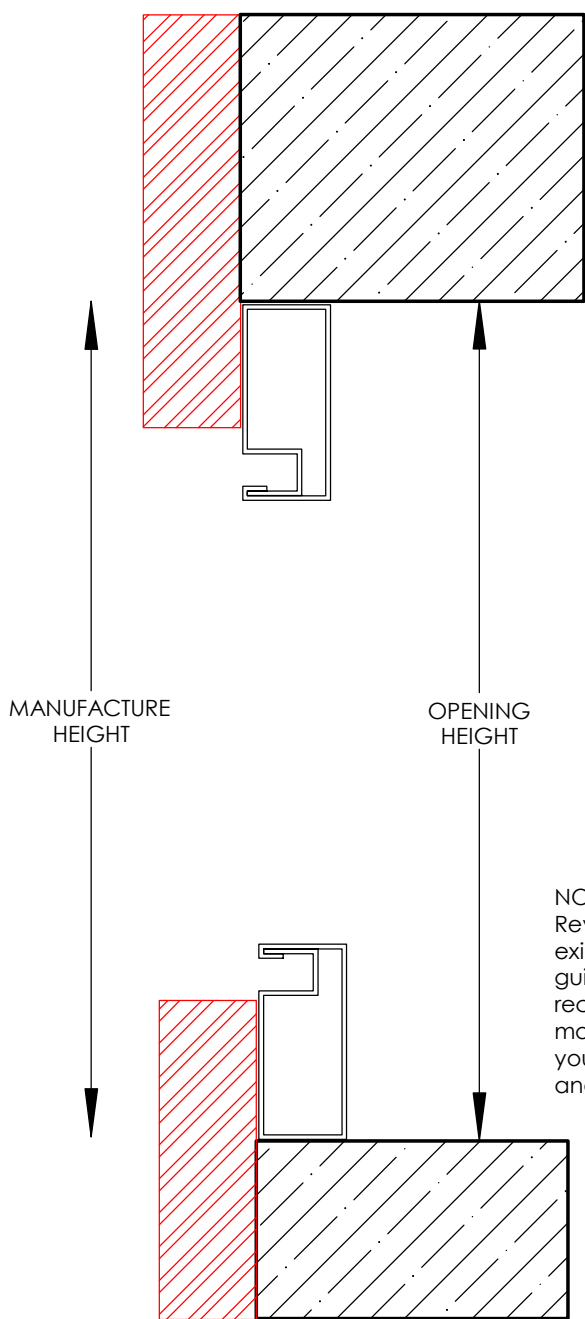


INSIDE POST WITH LARGE STOPS AND TRIM RECOMMENDED FOR ALL FRAME MATERIALS



With this installation, exterior fascia (aka "Large Stops") are installed in a fashion that will act as the exterior fascia and as the screen panel exterior stop. We recommend that the stop be sized to allow at least 3/4" penetration of the mounting screw and full coverage of screen frame from the exterior. This mount can be modified in a number of ways to fit your needs - some possible modifications are detailed within.

Manufacture sizes submitted for production should be the smallest width and smallest height obtained from the measurement taken at the mounting location for each screen panel (inside of each opening). We do recommend that your measurements be slightly reduced to allow for play when installing. Typically, a reduction of 1/8" in the height and in the width is more than adequate provided your openings are true and square. Your reduction may have to more or less - dependant upon your opening(s). In all cases, your submitted sizes must be your true manufacture size (TTT) - we will not adjust your measurements.

NOTICE:

Review all additional pages for this mounting suggestion – variations may exist that can affect measurements taken and submitted. Review all standard guidelines for important information, restrictions, limitations, and recommendations concerning this mounting suggestion. This particular mounting suggestion may need to be modified for your application or your structure may need to be modified. In all cases, be sure to consult and follow all local building codes.



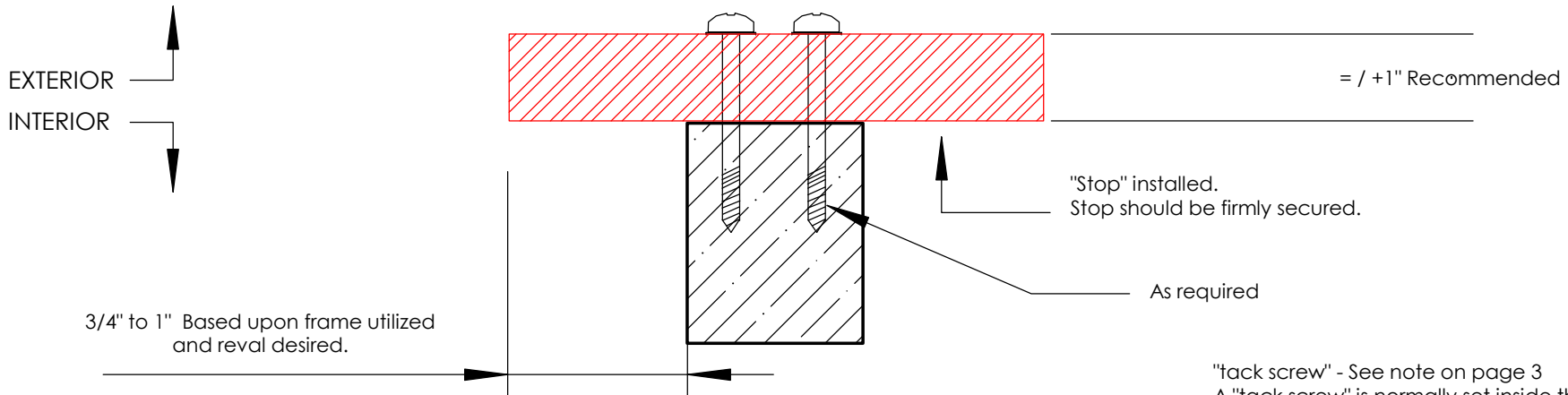
CONNECTICUT SCREEN WORKS, INC
Wallingford, CT 06492 (203) 741-0859

Title: Inside Post Mount w/t Large Stops & Trim
All Frame Materials

Date: 08/10/06	By: MC
Scale: N/A	Rev: 08/10/06 by MC
Page: 1 OF 3	Rev:
Alloy:	Rev:
Temper:	Patent:
Length:	N/A
Die:	

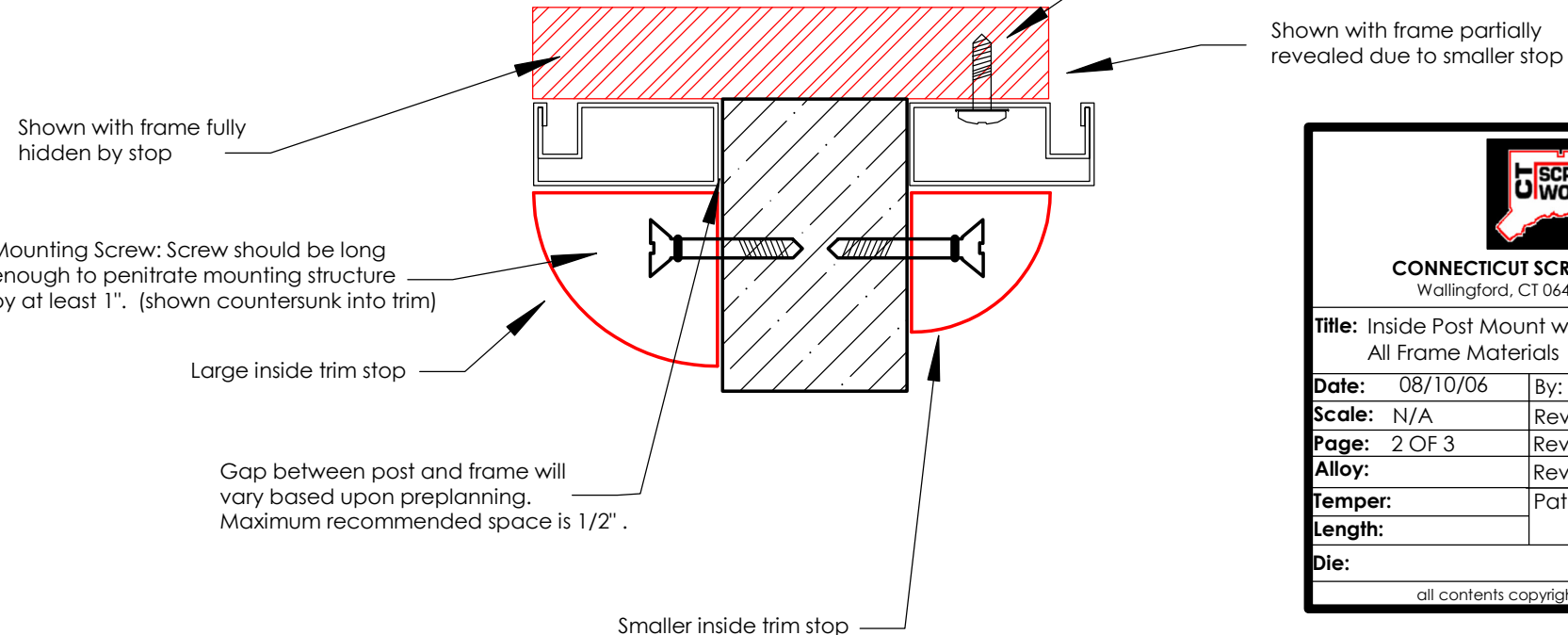
INSIDE POST WITH LARGE STOPS AND TRIM RECOMMENDED FOR ALL FRAME MATERIALS


TOP DOWN VIEW OF TWO ADJOINING FRAME PANELS



Note: Stops may cover as much or as little of the frame material as desired. It is recommended that stop be sized wide enough to hide screen frame. Interior finish stop should be installed snug up against screen frame in order to prevent rattling or movement.

"tack screw" - See note on page 3
A "tack screw" is normally set inside the screen frame to allow a clean installation of finish trim. Hole drilled on inside screen frame face (to allow for screw installation) is then covered by finish trim.





CONNECTICUT SCREEN WORKS, INC
Wallingford, CT 06492 (203) 741-0859

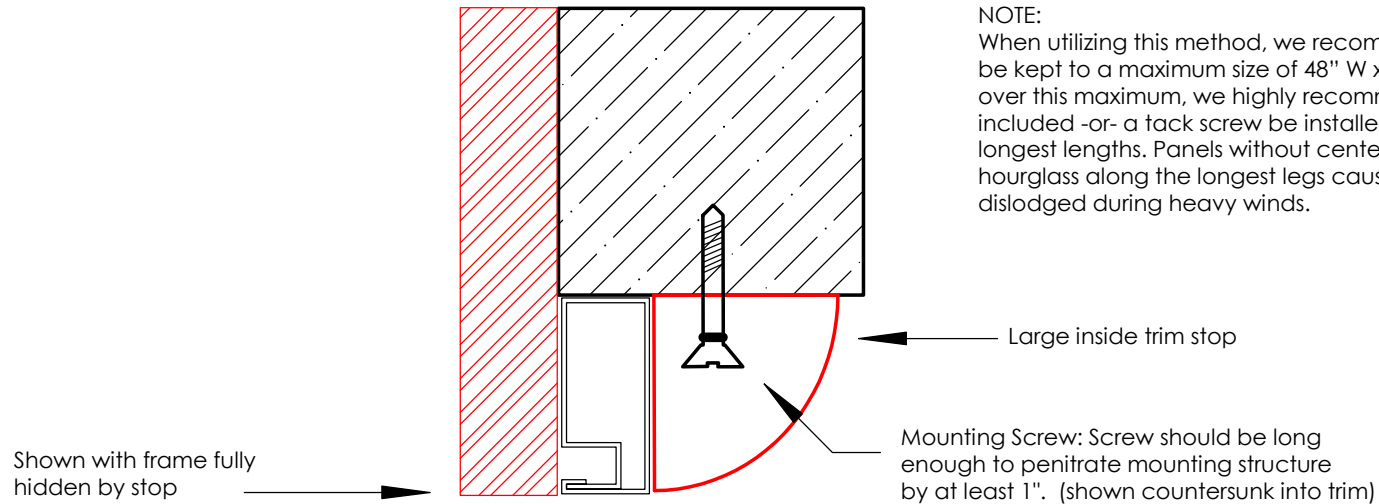
Title: Inside Post Mount w/t Large Stops & Trim All Frame Materials	
Date: 08/10/06	By: MC
Scale: N/A	Rev: 08/10/06 by MC
Page: 2 OF 3	Rev:
Alloy:	Rev:
Temper:	Patent:
Length:	N/A
Die:	

all contents copyright 2006 by CSW, Inc.

INSIDE POST WITH LARGE STOPS AND TRIM RECOMMENDED FOR ALL FRAME MATERIALS

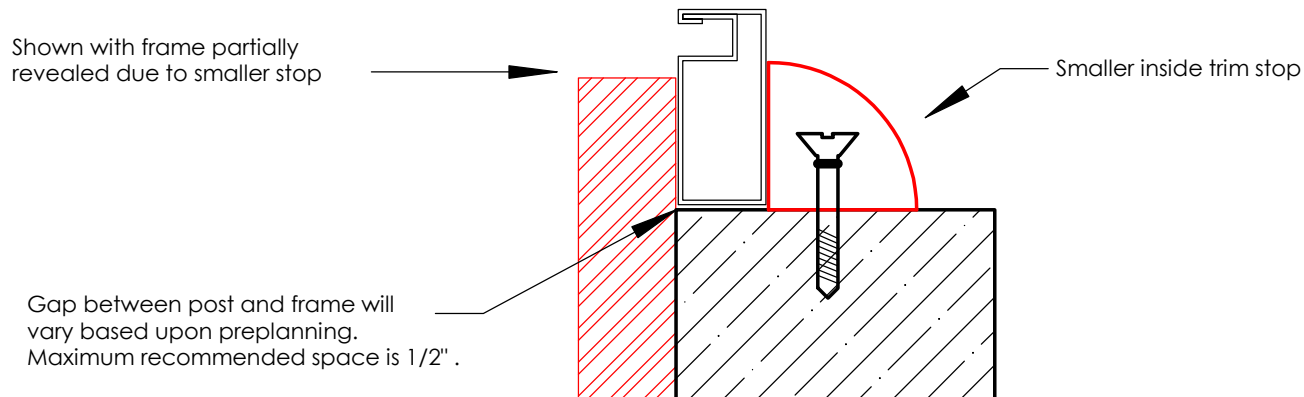



SIDE VIEW OF TOP AND BASE FRAME INSTALLATION



NOTE:
When utilizing this method, we recommend that screen or PVC inserts be kept to a maximum size of 48" W x 48" H. If you require sizes that are over this maximum, we highly recommend center support bars be included -or- a tack screw be installed at the center points of the longest lengths. Panels without center bars or tack screws may hourglass along the longest legs causing the panel to become dislodged during heavy winds.

Note: Stops may cover as much or as little of the frame material as desired. It is recommended that stop be sized wide enough to hide screen frame. Interior finish stop should be installed snug up against screen frame in order to prevent rattling or movement.





CONNECTICUT SCREEN WORKS, INC
Wallingford, CT 06492 (203) 741-0859

Title: Inside Post Mount w/t Large Stops & Trim All Frame Materials	
Date: 08/10/06	By: MC
Scale: N/A	Rev: 08/10/06 by MC
Page: 3 OF 3	Rev:
Alloy:	Rev:
Temper:	Patent:
Length:	N/A
Die:	
all contents copyright 2006 by CSW, Inc.	